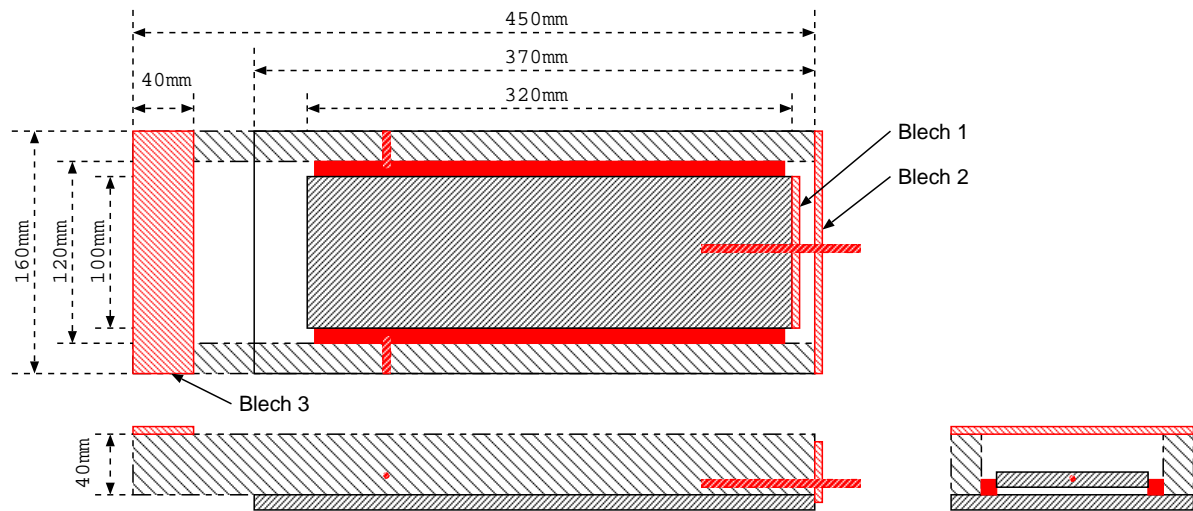
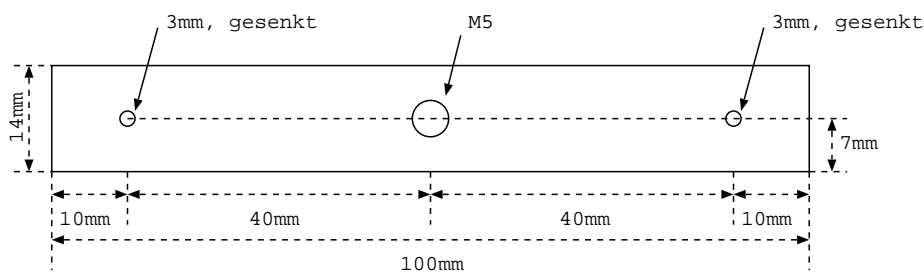


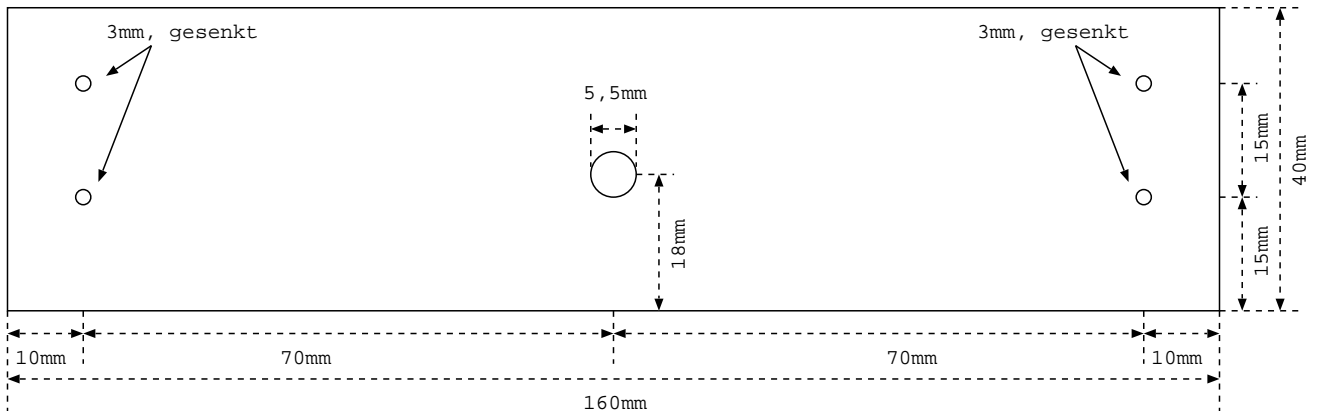
Foto-Schlitten



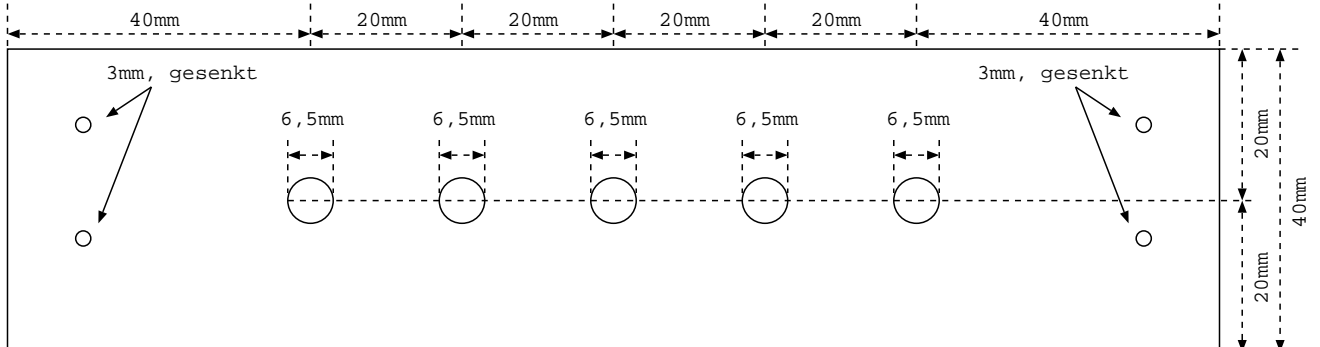
Blech 1:



Blech 2:



Blech 3:



Material:

- | | | |
|---|----------------------------|-------------------------------|
| 1 Platte 370mm x 160mm x 12mm Multiplex | 1 Blech 100mm x 14mm x 4mm | 1 Gewinde M5x115mm |
| 1 Platte 320mm x 100mm x 14mm Multiplex | 1 Blech 160mm x 40mm x 4mm | 2 Muttern M5 |
| 2 Latte 450mm x 40mm x 20mm massiv | 1 Blech 160mm x 40mm x 4mm | 1 Skalenknopf |
| 2 Schubladen-Auszüge 310mm | 2 Schrauben M3 x 22 | 10 Holzschrauben 3mm Senkkopf |